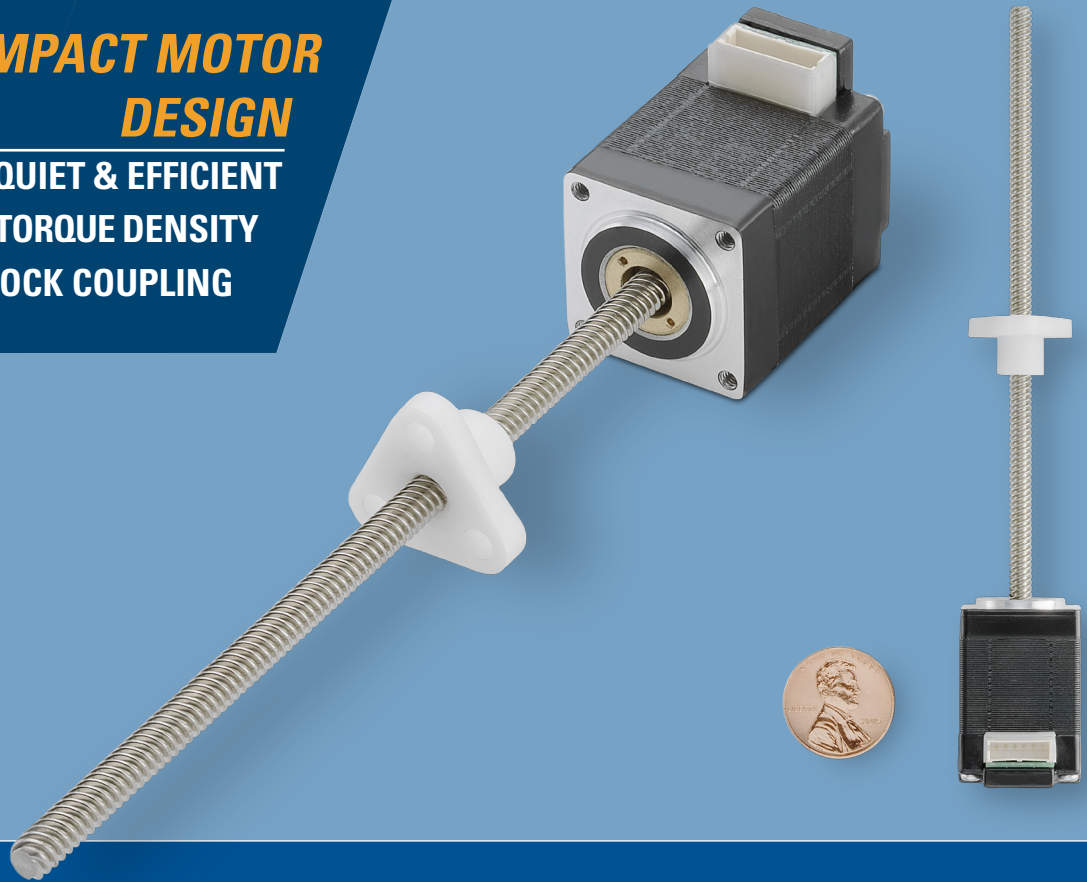


COMPACT MOTOR DESIGN

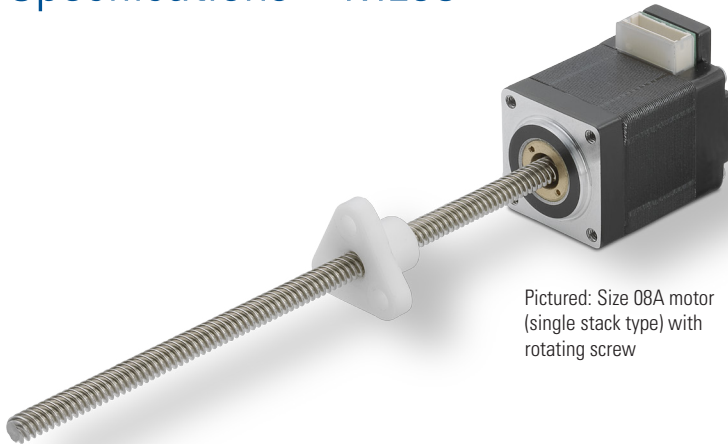
POWERFUL, QUIET & EFFICIENT
WITH INCREASED TORQUE DENSITY
& TAPER LOCK COUPLING



ML08 Motorized Lead Screw

Rotating screw with NEMA 8 motor

Specifications – ML08



Pictured: Size 08A motor (single stack type) with rotating screw

Features and Benefits

- Higher torque density than the competition
- NEMA 8 motor (size 21 mm)
- Rotating screw version only
- Choose between a variety of inch and metric leads
- Recommended max. thrust force 10 lbs (44 N)
- Recommended max. lead screw length of 4 in (102 mm) for optimal performance. Longer length lead screws available.

Motor Options

Motor Code	Holding Torque		Voltage/phase*	Current/phase*	Resistance	Inductance	Power Draw	Step Angle	Motor Length, maximum (Lm)		Rotor Inertia	Motor Weight
	[oz-in]	[mN-m]	[V]	[A]	[Ω]	[mH]	[W]	[°]	[in]	[mm]	[oz-in ²]	[lbs]
08A050	1.8	13	4.5	0.50	9	2	2.3	1.8	1.16	29.5	0.01	0.13

*Applied voltage can be any value above this number as long as output current is controlled at the rated RMS current.

Inch Lead Screw Options

Screw Code	Diameter	Lead	Travel/step
	[in]	[in]	[in]
18-0050	0.188	0.050	0.00025
18-0100		0.100	0.00050
18-0200		0.200	0.00100
18-0400		0.400	0.00200

Metric Lead Screw Options

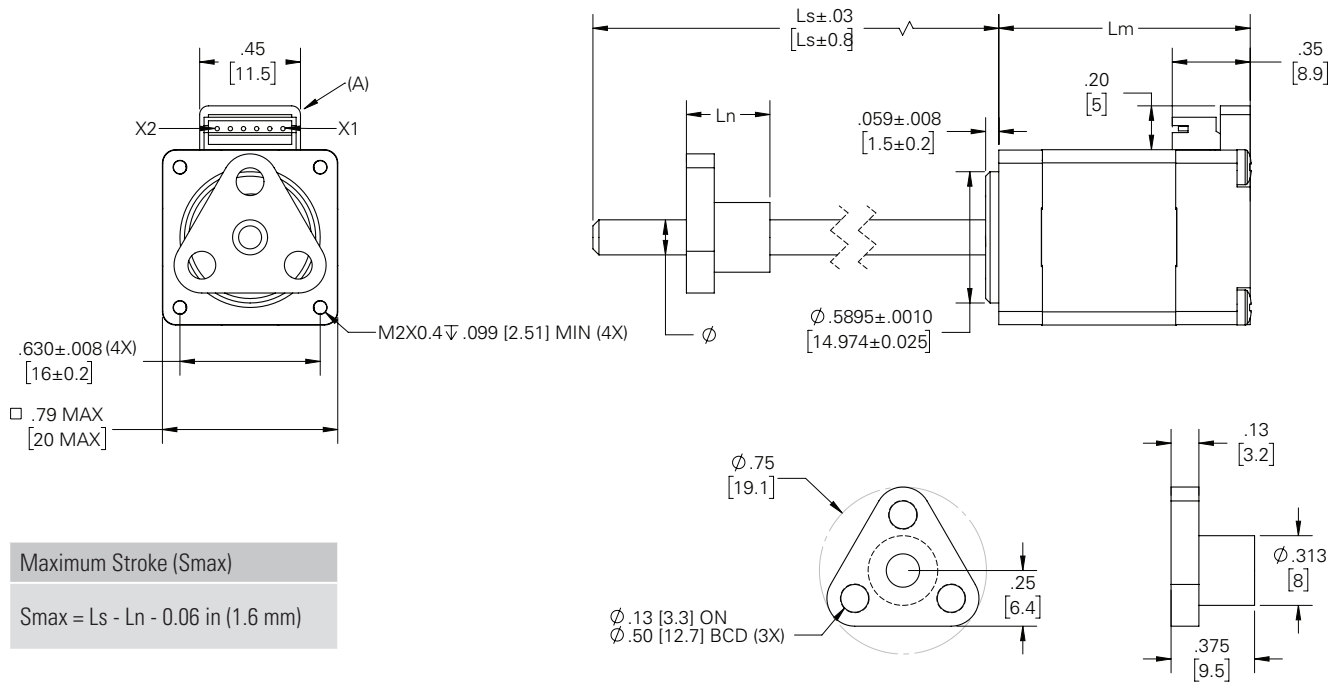
Screw Code	Diameter	Lead	Travel/step
	[mm]	[mm]	[mm]
M04-01	4	1	0.00500
M04-04		4	0.02000
M04-08		8	0.04000

Note: Other diameters and leads available. Contact Thomson for more information about custom lead screw availability.

Dimensions – ML08

ML08xxxxxS (rotating screw)

Dimensions	Projection
Inch (mm)	



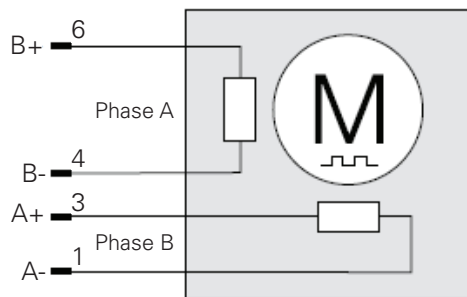
Maximum Stroke (Smax)

$$S_{max} = L_s - L_n - 0.06 \text{ in (1.6 mm)}$$

(A) 6-pin connector as standard (X1 = pin 1, X6 = pin 6). Custom connection solutions possible. Contact Thomson for more information.
 (B) For dimensions and data on anti-backlash (FAS, TAS) and high-performance nuts (FSH), please contact Thomson for more information.

Motor Connection

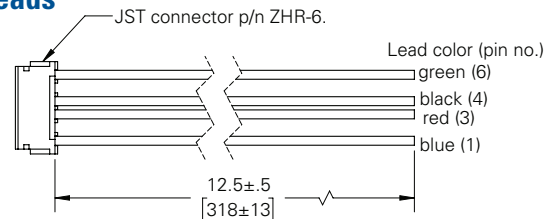
Molex Connector*	
Pin	Phase
1	A-
2	not used
3	A+
4	B-
5	not used
6	B+



* JST connector p/n S6B-ZR (LF) (SN). Mates with JST connector p/n ZHR-6.

Standard Motor Connector Kit with Flying Leads

- Compatible with the above motor connector
- Lead length 12.5 in (318 mm)
- 26 AWG lead wires
- Part number MC08-001
- Standard for ML08 motor



USA, CANADA and MEXICO

Thomson
203A West Rock Road
Radford, VA 24141, USA
Phone: 1-540-633-3549
Fax: 1-540-633-0294
E-mail: thomson@thomsonlinear.com
Literature: literature.thomsonlinear.com

EUROPE

United Kingdom

Thomson
Office 9, The Barns
Caddsdow Business Park
Bideford
Devon, EX39 3BT
Phone: +44 (0) 1271 334 500
E-mail: sales.uk@thomsonlinear.com

Germany

Thomson
Nürtinger Straße 70
72649 Wolfschlugen
Phone: +49 (0) 7022 504 403
Fax: +49 (0) 7022 504 405
E-mail: sales.germany@thomsonlinear.com

France

Thomson
Phone: +33 (0) 243 50 03 30
Fax: +33 (0) 243 50 03 39
E-mail: sales.france@thomsonlinear.com

Italy

Thomson
Largo Brughetti
20030 Bovisio Masciago
Phone: +39 0362 594260
Fax: +39 0362 594263
E-mail: sales.italy@thomsonlinear.com

Spain

Thomson
E-mail: sales.esm@thomsonlinear.com

Sweden

Thomson
Estridsväg 10
29109 Kristianstad
Phone: +46 (0) 44 24 67 00
Fax: +46 (0) 44 24 40 85
E-mail: sales.scandinavia@thomsonlinear.com

ASIA

Asia Pacific

Thomson
E-mail: sales.apac@thomsonlinear.com

China

Thomson
Rm 2205, Scitech Tower
22 Jianguomen Wai Street
Beijing 100004
Phone: +86 400 6661 802
Fax: +86 10 6515 0263
E-mail: sales.china@thomsonlinear.com

India

Thomson
c/o CNRG Energy India Pvt. Ltd.
Unit No. FF A 07
Art Guild House, A Wing, 1st Floor, L.B.S Marg
Kurla – West, Mumbai – 400070 India
Phone: +0091 22 6249 5043
E-mail: sales.india@thomsonlinear.com

Japan

Thomson
Minami-Kaneden 2-12-23, Suita
Osaka 564-0044 Japan
Phone: +81-6-6386-8001
Fax: +81-6-6386-5022
E-mail: csjapan@scgap.com

Korea

Thomson
F7 Ilsong Bldg, 157-37
Samsung-dong, Kangnam-gu,
Seoul, Korea (135-090)
Phone: +82 2 6917 5049
Fax: +82 2 528 1456
E-mail: sales.korea@thomsonlinear.com

SOUTH AMERICA

Brazil

Thomson
Av. Tamboré, 1077
Barueri, SP – 06460-000
Phone: +55 (11) 3616-0191
Fax: +55 (11) 3611-1982
E-mail: sales.brasil@thomsonlinear.com